

# King Air Divans

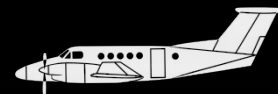




# 1-Place Divans



**AvFab 1 PAX King Air Divans have  
Side-by-side versatility**



# 1-Place Divans

**Description:** AvFab's one place King Air side facing divan is extremely versatile. Can be installed alone or several can be placed alongside each other. Divans provide a modern, open and comfortable atmosphere. In many cases, this will allow you to accommodate additional passengers. Divan is delivered in "green" condition, without upholstery.

**Models:** Beechcraft King Air 90, 100, 200, 300, 350, 350i

**FAA / STC:** SA4157SW

**Approval:** Federal Aviation Administration Parts Manufacture Approval, PMA, and Supplemental Type Certificate, STC, (eliminating the need for field approval).

**Features:** Seat includes lap belt, life vest pouch, and cushions (un-upholstered). Various floor plans are available.

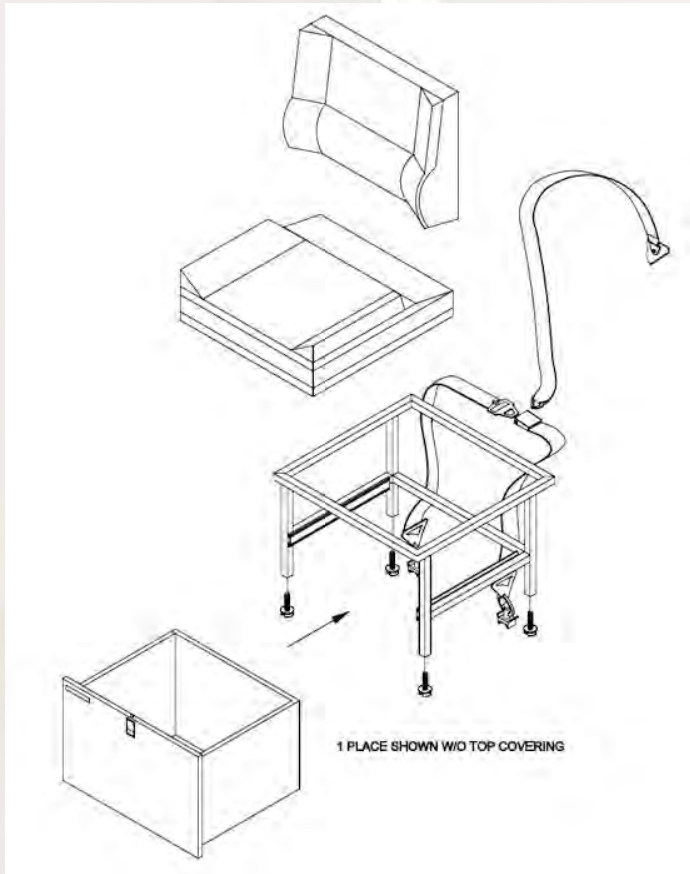
**Options:** Square Tube Divan available 10-14" in height.

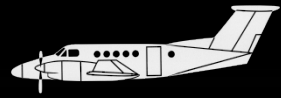
**Installation:** No airframe modification is required to install the divan other than removing existing seat/s and furnishings, and locating the new divan in the desired location (complete installation instructions, diagrams, and weight and balance data are included in the kit). AvFab shoulder harness restraint system, part number 32-0181K, is required to install these divans. The divans can be installed on either side of the airplane in a range of stations. Typical installed Divan weight is 18 pounds. If undersea storage drawer is required, an increase of 23 pounds should be expected.

**Lead Time:** Divans are normally in stock and available for immediate world-wide shipment, however, fluctuations in demand may cause up to a 30 day delivery delay.



# 1- Place Divans Line Drawings

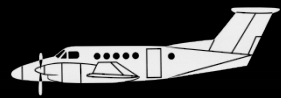






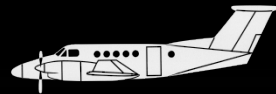
# 2-Place Divans





## **2-Place Divan**

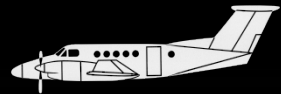




## **2-Place Attendant Divan**







# **Lateral Tracking 2-Place Attendant Divan**



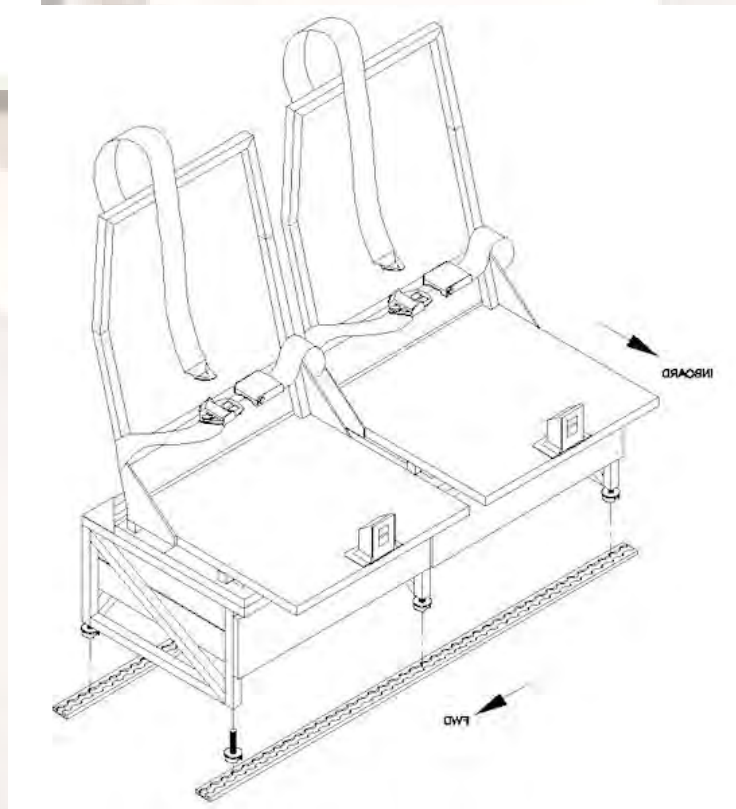


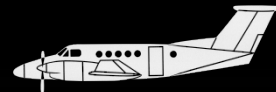
# Divan Line Drawings



## 2-Place Divan

## Lateral Tracking 2-Place Divan





# 2-Place Divans

**Description:** Our 2-Place King Air Divan is also popular for medical attendant and Special Missions applications. In some cases you to accommodate additional passengers. Divans kits include: seat belts (TSO-C22f), track fittings, installation instructions, and weight and balance data, etc. Divan is delivered in "green" condition, without upholstery. AvFab's Two Place Lateral Tracking Divan is ideal for medical attendant use as it allows caregivers to adjust seat for closer access to patient while remaining in the restraint system.

See more at <http://avfab.com/king-air-100-200-300-350-90-2-place-divan> or <http://avfab.com/king-air-100-200-300-350-90-2-place-lateral-tracking-divan-lh>

**Models:** Beechcraft King Air 90, 100, 200, 300, 350, 350i

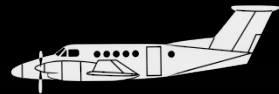
**FAA / STC:** Covered by one or more of the following:  
 SA2630CE, SA2631CE, SA2632CE,  
 SA2633CE

**Options:** Under seat storage drawers. Shoulder harness kit (required for this installation).

**Features:** Divan kits include, seat belts (TSO-C22f), track fittings, installation instructions, and weight and balance data, etc.

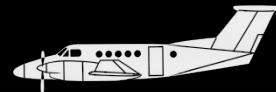
**Installation:** No airframe modification is required to install the divan other than removing existing seat/s and furnishings, and locating the new divan in the desired location (complete installation instructions, diagrams, and weight and balance data are included in the kit). AvFab shoulder harness restraint system, part number 32-0181K, is required to install these divans. See shoulder harness data sheet for installation instructions. The divans can be installed on either side of the airplane in a range of stations.

**Lead Time:** Typical lead time for these divan/stretchers is 14 days after receipt of purchase order. However, fluctuations in demand may cause up to a 30 day delivery delay.



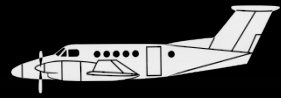
# 4-Place Stretcher- Divan



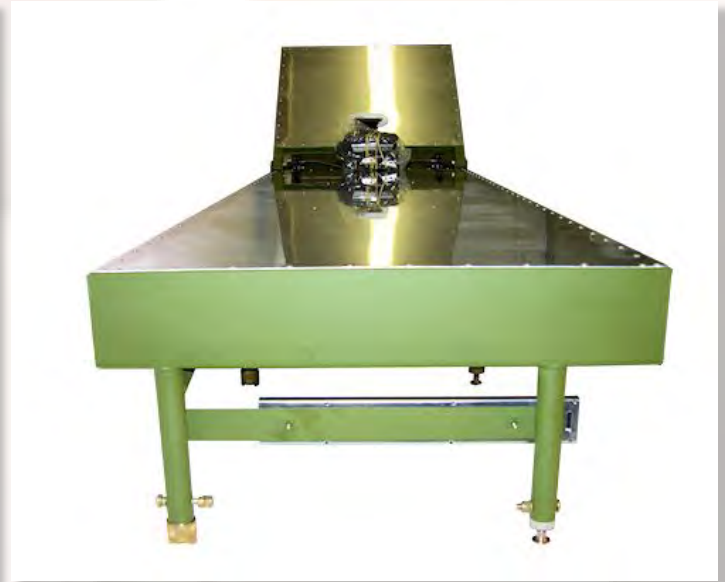


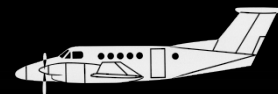
# Installed 4-Place Stretcher-Divan





# 4-Place Stretcher-Divan





# Stretcher Divans

**Description:** Increase the utility and functionality of your King Air with an AvFab 4 place Divan/Stretcher that allows you the option of carrying either passengers or a patient on the same divan. This conversion can easily be done with the divan/stretcher still in the aircraft. The Divan/Stretcher is approved for occupancy during all phases of flight (including takeoff and landing).

See more at <http://avfab.com/king-air-100-200-300-90-stretcher-divan-4-place-rh>

**Models:** Beechcraft King Air 90, 100, 200, 300, 350, 350i

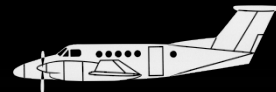
**FAA / STC:** Covered by one or more of the following:  
 SA2630CE, SA2631CE, SA2632CE, SA2633CE

**Options:** Under seat storage drawers.  
 Shoulder harness kit (required for this installation).

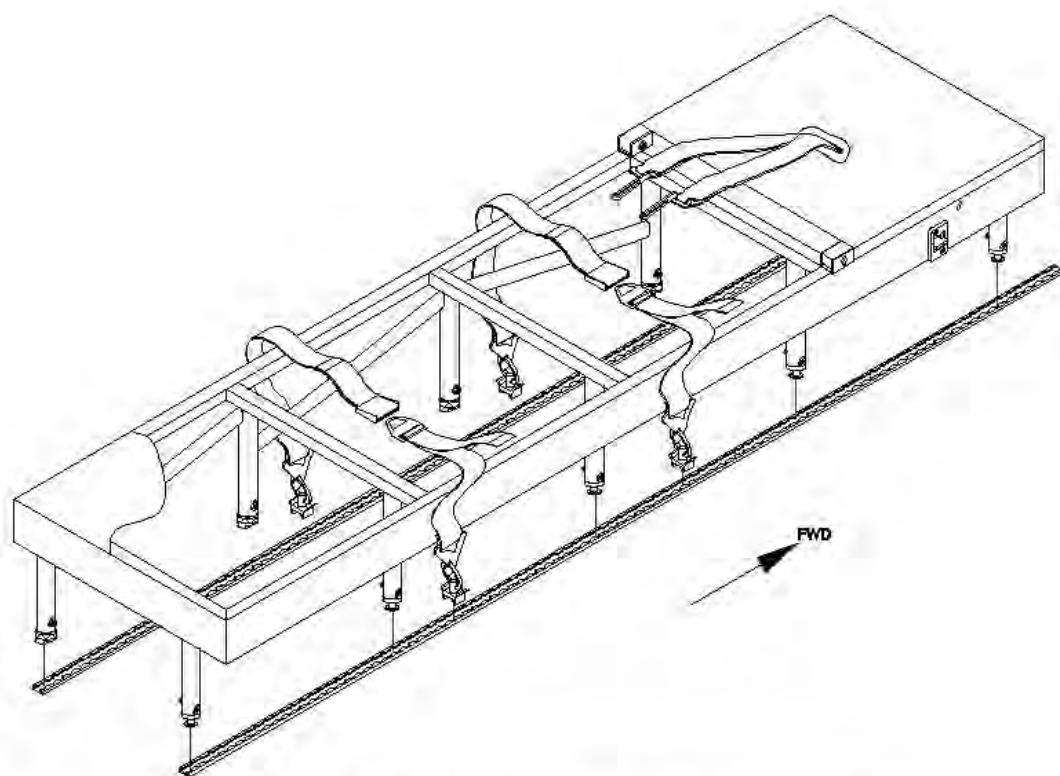
**Features:** Very quickly and easily converted between passenger carrying and for patient transportation. You can carry passengers on one leg of a flight and then convert it for an ambulatory person on the next leg. FAA approved for either use.

**Installation:** No airframe modification is required to install the divan other than removing existing seat/s and furnishings, and locating the new divan in the desired location (complete installation instructions, diagrams, and weight and balance data are included in the kit). AvFab shoulder harness restraint system, part number 32-0181K, is required to install these divans. See shoulder harness data sheet for installation instructions. The divans can be installed on either side of the airplane in a range of stations.

**Lead Time:** Typical lead time for these divan/stretchers is 14 days after receipt of purchase order. However, fluctuations in demand may cause up to a 30 day delivery delay

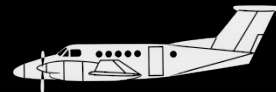


# 4-Place Stretcher-Divan Line Drawing

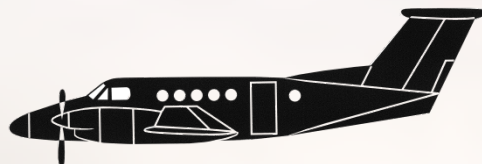


**LH ASSEMBLY WITH STRETCHER RESTRAINTS**





Learn more about Avfab's comprehensive line of  
King Air products & services at:  
**[www.AvFab.com](http://www.AvFab.com)**



## **Aviation Fabricators**

805 North 4th Street

Clinton, MO 64735

(660) 885-8317

**[www.AvFab.com](http://www.AvFab.com)**